



SPARE PARTS EXPLODED VIEW GAS WALL BOILERS

Model

BS II

R8203255-01EN - Edition 01 - 03/05/2010

BS II

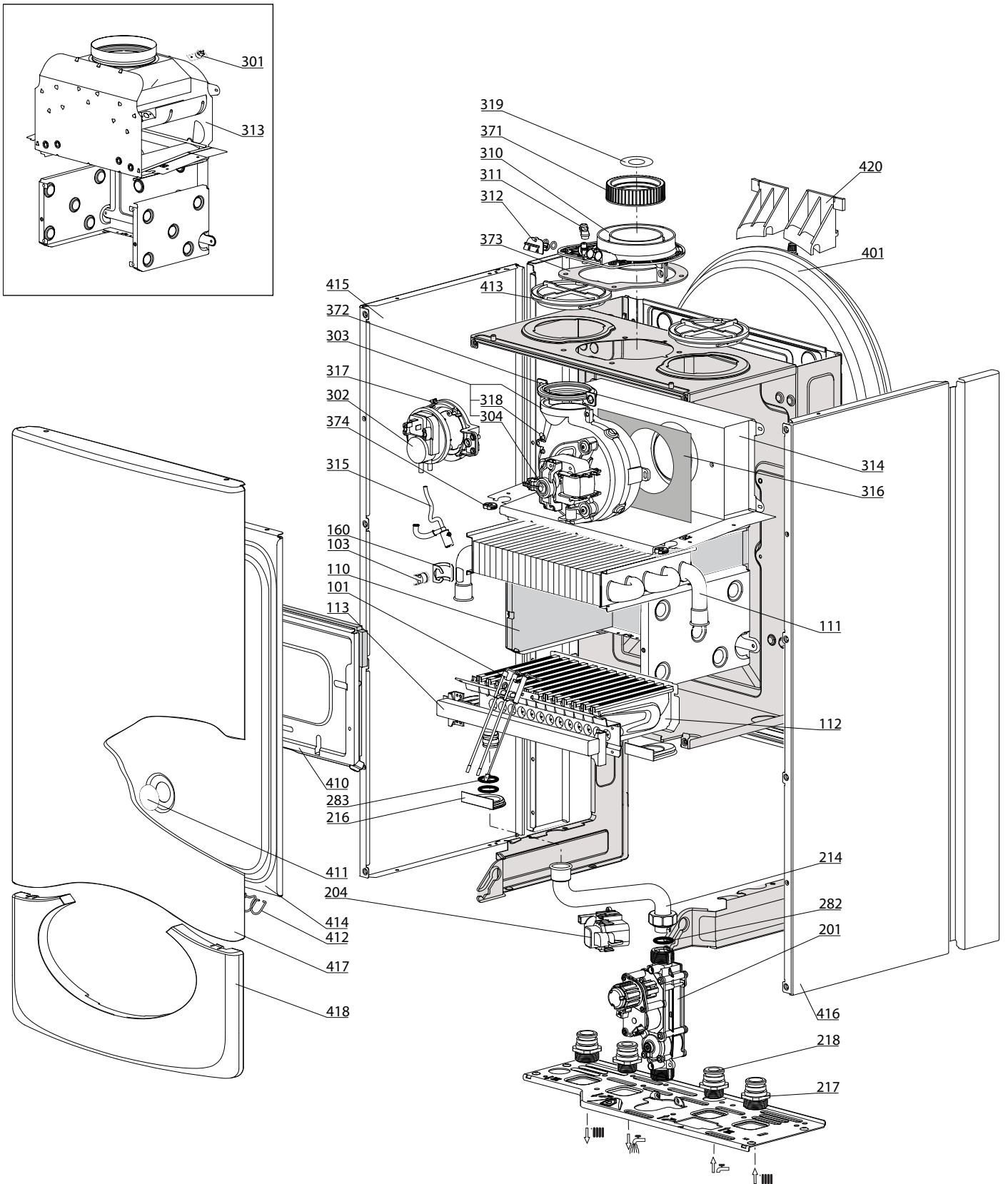
Domestic Gas Boilers

3300296		BS II 24 CF
3300295		BS II 24 FF
Reference	Ind.	Model type	Begin	End

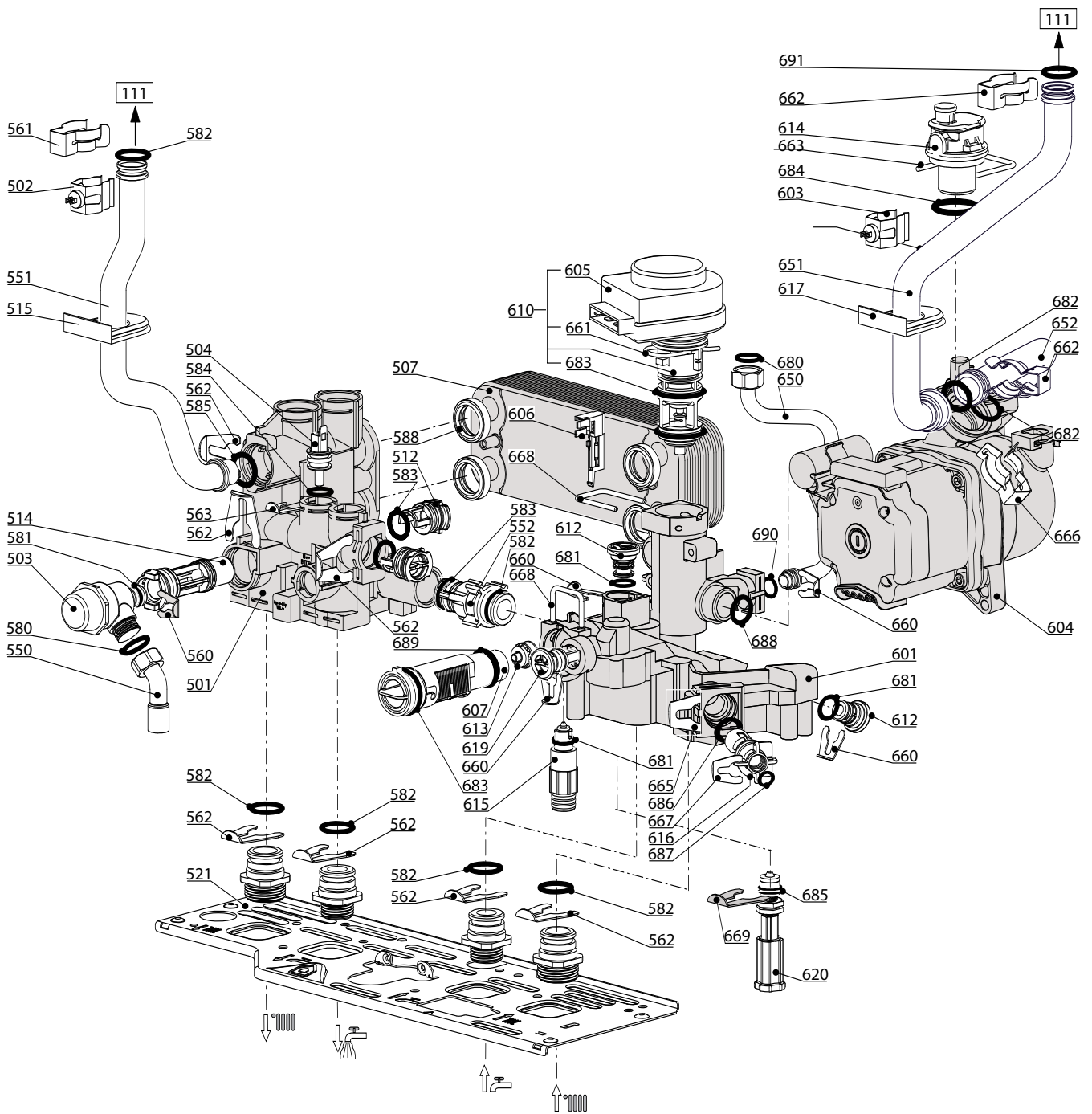
100
200
300
400

BS II

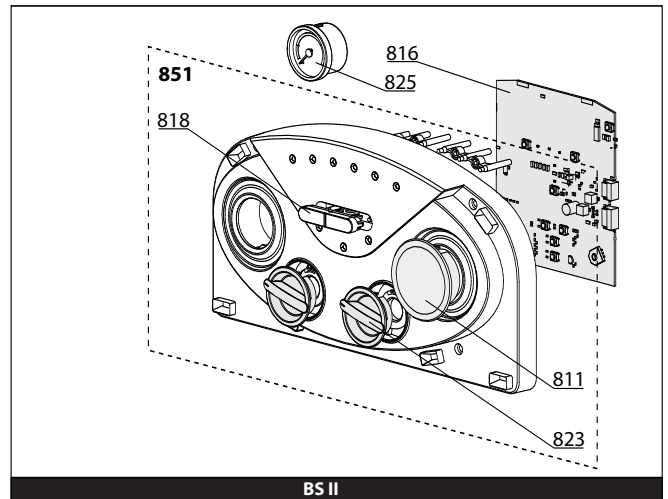
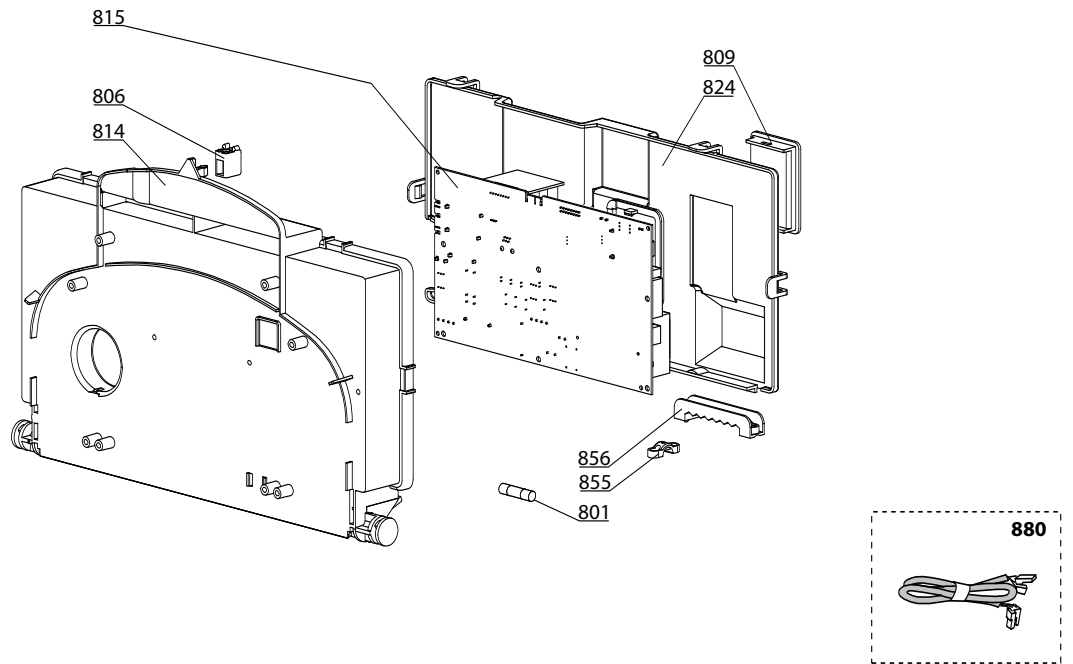
Domestic Gas Boilers



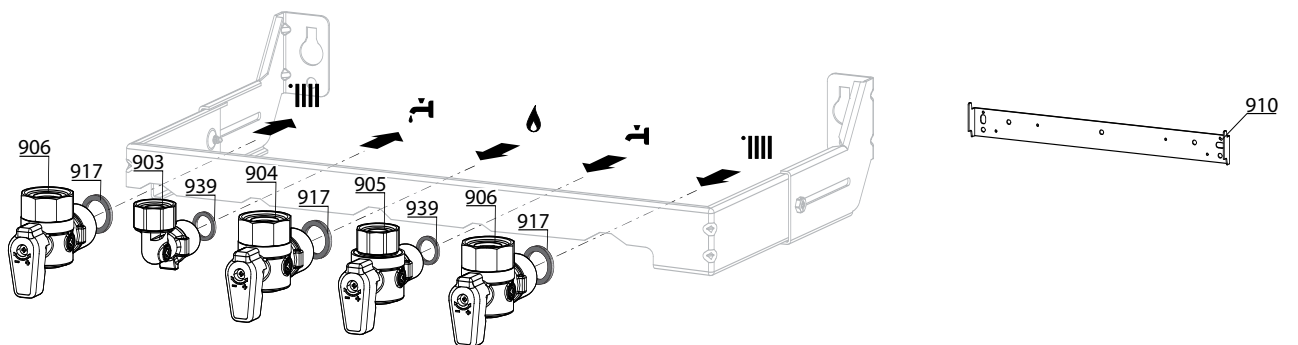
Key N	Description	Manf. Pt. N	Type	CF		FF		Manf. date	
				25	24	25	24	from	to
0100	BURNER ASSEMBLY								
0101	ELECTRODE (IGNITION/DETECTION)	65104549		•	•				
0103	THERMOSTAT 102Å°	65104500		•	•				
0110	PANELS (KIT)	65104695		•	•				
0111	MAIN EXCHANGER	65104247		•					
	MAIN EXCHANGER	65106297			•				
0112	BURNER	60001582		•					
	BURNER	65106294			•				
0113	GAS MANIFOLD	65104302	NAT	•					
	GAS MANIFOLD	65106302	NAT		•				
0160	CLIP	61010050		•	•				
0200	GAS SECTION								
0201	GAS VALVE	60001575		•	•				
0204	SPARK GENERATOR	60001576		•	•				
0214	GAS TUBE	60001577		•	•				
0216	GROMMET	60001578		•	•				
0217	UNION (3/4)	65104326		•	•				
0218	UNION (1/2)	65104327		•	•				
0282	SHEET GASKET D: 24-18.2-1.5	60022835-01		•	•				
0283	O-RING 17,17X1,78	65104303		•	•				
0300	FAN ASSEMBLY								
0301	THERMOSTAT 75-65Å°C	999539		•					
0302	AIR PRESSURE SWITCH	65104671			•				
0303	FAN	65104357			•				
0310	FLUE (EXHAUST MANIFOLD / HEADER)	65105393			•				
0311	AIR INTAKE COVER	573329			•				
0312	FLUE INTAKE PLUG	65104295			•				
0313	COMBUSTION CHAMBER	65104218		•					
0314	COMBUSTION CHAMBER	65104219			•				
0315	CONDENSATE TRAP	65104623			•				
0316	PANEL (INSULATION - FAN)	65104305			•				
0317	SUPPORT (AIR PRESSURE SWITCH)	65104378			•				
0318	VENTURI 15/25FF	65106516			•				
0319	RESTRICTOR (D=44)	65105078			•				
0371	COLLAR GASKET	65104258			•				
0372	FAN GASKET	65104257			•				
0373	GASKET	60000317			•				
0374	CABLE INLET RUBBER WASHER	60000716		•	•				
0400	SEALED CASE								
0401	EXPANSION VESSEL	65104261		•	•				
0410	PANEL (COMBUSTION CHAMBER)	65104240		•	•				
0411	SIGHT GLASS	65104232			•				
0412	SPRING FRONT PANEL (KIT)	65104298			•				
0413	AIR RETURN COVER	65104249			•				
0414	PANEL (FRONT - SEALED CHAMBER)	65105678			•				
0415	CASE PANEL (L.H. SIDE)	65105676		•	•				
0416	CASE PANEL (R.H. SIDE)	65105677		•	•				
0417	CASE PANEL (FRONT)	65108243		•	•				
0418	FACIA	60001354		•	•				
0420	EXPANSION VESSEL SUPPORT	65104696		•	•				



Key N	Description	Manf. Pt. N	Type	CF		FF		Manf. date	
				25	24			from	to
0500	FLOW GROUP								
0501	FLOW GROUP	65104312		•	•				
0502	TEMPERATURE PROBE + CLIP	990686		•	•				
0503	PRESSURE RELIEF VALVE 3 BAR	61312668		•	•				
0504	NTC PROBE	65104338		•	•				
0507	SECONDARY EXCHANGER	65104333		•	•				
0512	PLUG	65104445		•	•				
0514	BY-PASS	65104336		•	•				
0515	GROMMET	60000808		•	•				
0521	HYDRAULIC GROUP SUPPORT	65104311		•	•				
0550	PIPE (SAFETY VALVE)	65104447		•	•				
0551	PIPE (C.H. FLOW)	65104252		•					
	PIPE (C.H. FLOW)	65106309			•				
0552	BY-PASS PIPE	65104340		•	•				
0560	CLIP D:10	65104260		•	•				
0561	CLIP	61307589		•	•				
0562	CLIP D=18	65104259		•	•				
0563	CLIP	65104339		•	•				
0580	SHEET GASKET D: 13.9-10.4-1.5	60061853-02		•	•				
0581	O - RING (15.88X2.62)	65104337		•	•				
0582	O-RING D: 17.86-2.62	61308091		•	•				
0583	O - RING (15.54X2.62)	65104325		•	•				
0584	O-RING D: 11.91-2.62	60000850		•	•				
0585	O-RING 3,53X17,04	65104262		•	•				
0588	LIP SEAL	61002249		•	•				
0600	RETURN GROUP								
0601	RETURN GROUP	65104335		•	•				
0603	TEMPERATURE PROBE + CLIP	990686		•	•				
0604	PUMP	60001581		•	•				
0605	MOTOR - THREE-WAY VALVE	61302483-01		•	•				
0606	SENSOR (REED)	65104323		•	•				
0607	FLOW METER	65104317		•	•				
0610	MOTOR + SPRING 3 WAY VALVE KIT	60001583		•	•				
0612	PLUG	65104377		•	•				
0613	RIDUCTORS (KIT)	65104318		•	•				
0614	AUTO AIR VENT WITH O-RING	65104703		•	•				
0615	KIT DRAIN SCREW	60001385		•	•				
0616	WATER FILTER	60001372		•	•				
0617	GROMMET	60000807		•	•				
0619	CHECK VALVE CARTRIDGE	65105323		•	•				
0620	FILLING TAP KIT	65104324		•	•				
0650	PIPE (EXPANSION VESSEL)	65104253		•	•				
0651	PIPE (C.H. RETURN)	65104265		•					
	PIPE (C.H. RETURN)	65106308			•				
0652	UNION (PUMP - PIPE)	65104266		•	•				
0660	CLIP D:10	65104260		•	•				
0661	CLIP	65104332		•	•				
0662	CLIP	61307589		•	•				
0663	U-CLIP	65104704		•	•				
0665	CLIP	65104331		•	•				
0666	CLIP	60000309		•	•				
0667	CLIP	65100680		•	•				
0668	CLIP	65104316		•	•				
0669	CLIP	65104339		•	•				
0680	GASKET 3/8	573521		•	•				
0681	O - RING (9.19X2.62)	65104313		•	•				
0682	O-RING 3,53X17,04	65104262		•	•				
0683	O - RING (23.47X2.62)	65104315		•	•				
0684	O-RING	65104705		•	•				
0685	O - RING (1.78X8.74)	65104329		•	•				
0686	O - RING (15.54X2.62)	65104325		•	•				
0687	O RING D: 5.7-1.9	61009834-10		•	•				
0688	O - RING (21.89X2.62)	65104320		•	•				
0689	O-RING 17,17X1,78	65104303		•	•				
0690	O-RING D: 8.9-2.7	61009834-14		•	•				
0691	O-RING D: 17.86-2.62	61308091		•	•				



900



5000

5001
 Transf. gaz > GPL
 Conv. gas > GPL
 Trasn. gas > GPL
 Transf. gas > GPL

5002
 Transf. gaz > Nat
 Conv. gas > Nat
 Trasn. gas > Met
 Transf. gas > Met

5020
 Options
 Accessories
 Opzioni
 Accessorio

Key N	Description	Manf. Pt. N	Type	CF		FF		BS II		Manf. date	
				25	24			from	to		
0800	ELECTRICAL BOX										
0801	FUSE 250V 2A - TEMPORIZED	61003456		●	●						
0806	PUSH	65104228		●	●						
0809	INSPECTION COVER	65104294		●	●						
0811	HOLE PLATE	60001237		●	●						
0814	CONTROL PANEL	65104300		●	●						
0815	P.C.B. (MAIN)	60001580		●	●						
0816	PRINTED CIRCUIT BOARD (DISPLAY)	60001579		●	●						
0818	PUSH BUTTON ON/OFF	65105087		●	●						
0823	KNOB	65105086		●	●						
0824	CONTROL PANEL COVER (REAR)	65104293		●	●						
0825	PRESSURE GAUGE	65104234		●	●						
0851	CONTROL PANEL	65108242		●	●						
0855	CABLE CLAMP	571562		●	●						
0856	CABLE CLAMP	65103377		●	●						
0880	EARTH WIRE	65104286		●	●						
	DISPLAY WIRING	60000746	/ CN02	●	●						
	FAN-IGNITER CABLE	60001391	/ CN03	●	●						
	SHUNT CABLE	60001389	/ CN04	●	●						
	IONIZATION ELECTRODE CABLE	65104518	/ CN05	●	●						
	THREE WAY VALVE CABLE	65104523	/ CN09	●	●						
	PUMP CABLE 1V ASK	60001390	/ CN10	●	●						
	FAN CABLE	65107270	/ CN10	●	●						
	FLOW METER CABLE	60000813	/ CN14	●	●						
	FEEDER 240V	60000993	/ CN20	●	●						
	GAS VALVE CABLE	60001392	/ CN20	●	●						
	NTC - OVERHEAT THER. - PRES SWITCH CABLE	60000814	/ CN22	●	●						
	NTC PROBE - OVERHEAT THERMOSTAT CABLE	65104708	/ CN22	●	●						
	ROOM THERMOSTAT CABLE	60001253	/ CN25	●	●						
0900	JIG PLATE & PIPE FITTING										
0903	HOT WATER CONNECTION	60000891		●	●						
0904	GAS SERVICE TAP	60000898		●	●						
0905	COLD WATER TAP	60000895		●	●						
0906	WATER FLOW & RETURN SERVI. TAP	60000885		●	●						
0910	WALL HOOK	60000625		●	●						
0917	SHEET GASKET D: 24-17-1.5	60061855-19		●	●						
0939	SHEET GASKET D: 16.5-11-1.5	60061854-14		●	●						
5000	ACCESSORIES										
5001	BURNER JET FULL KIT (LPG)	65106690		●	●						
5002	BURNER JET FULL KIT (NG)	65106691		●	●						
5020	ROD PLATE	60000999		●	●						

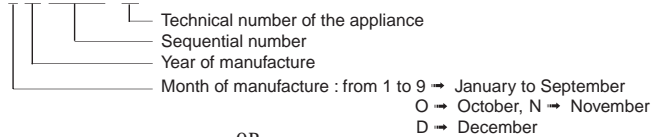
LIST OF THE ABBREVIATIONS

HW	: Hot water.
CW	: Cold water.
C	: Ceramic resistance (normal heating).
Ca	: Ceramic resistance (accelerated heating)
TP	: Immersion heater.
1F	: With fittings.
2F	: Without fittings.
3F	: With fittings and another outlet connection.
AMI	: With mixing valve.
SMI	: Without mixing valve.
PUISS	: Power of th appliance.
PN	: Appliance with normal pression.
LP	: Appliance with low pression.
PV	: Appliance with variable power.
PF	: Appliance with fixed power..

IDENTIFICATION PLATE

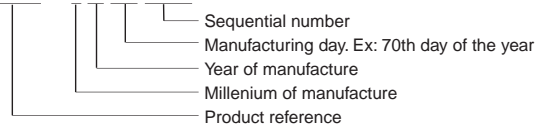
SERIAL NUMBER

Ex: 1 95 065004 - 31



OR

Ex: 0537095 XX 2 07 070 00315



The indications mentioned on the prices, commercial or technical literature and the scheme are written for your guidance and are available at a given time. The CONSTRUCTOR retains the power to modify the presentation, the form, the size, the conception or the material of the products.