



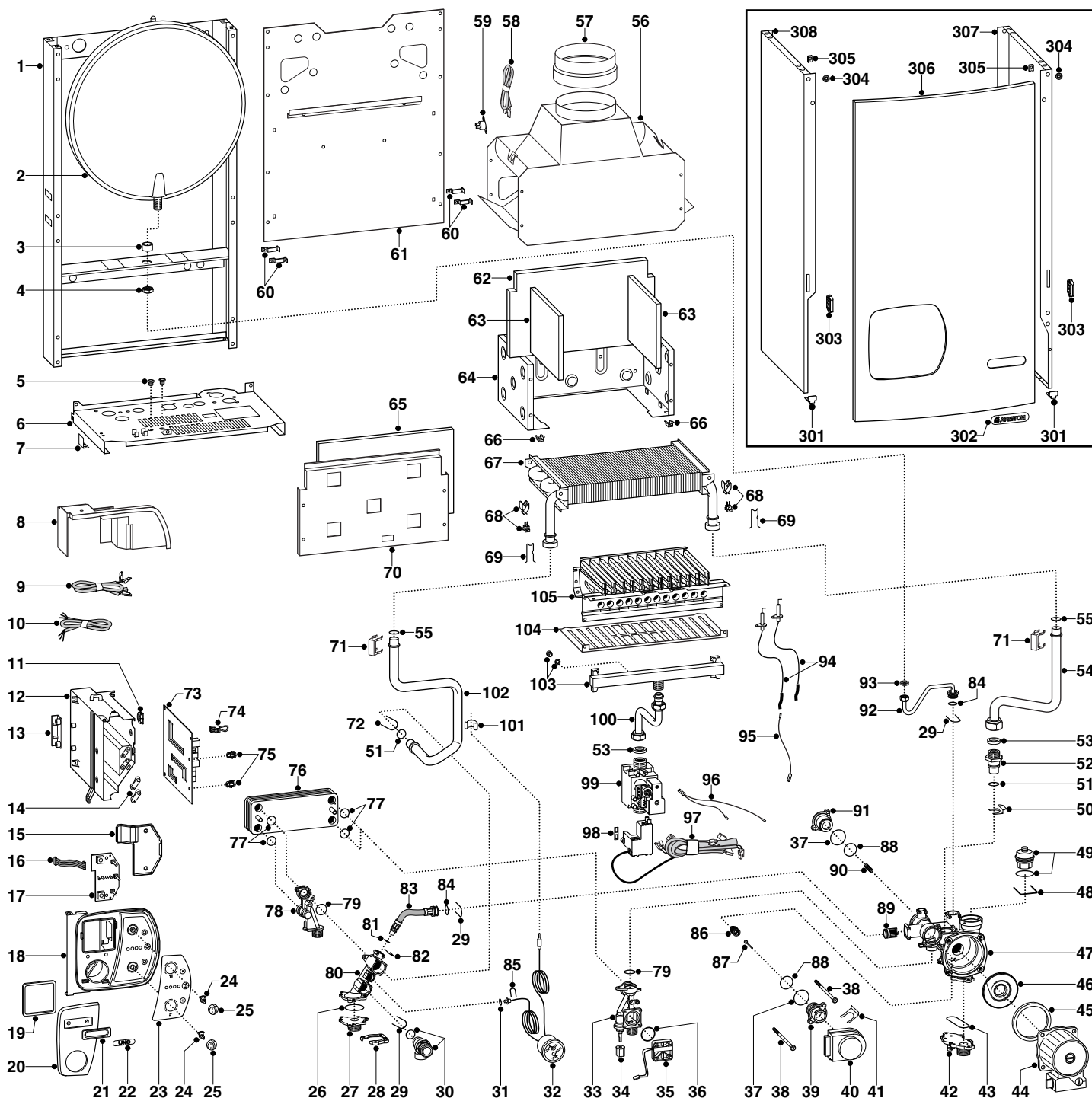
SPARE PARTS EXPLODED VIEW
GAS WALL BOILERS

Model

UNO 24 MI

Edition 1 of 1 August 2003





ER2003210038101001

MODEL	CHARACTERISTICS	SERIAL NO. VALIDITY	REF.
UNO 24 MI	METHANE	2320315000001	A
UNO 24 MI	LPG	2320315000001	B

PART.	CODE	DESCRIPTION	REF.	NOTE
1	-----	Frame		11
2	998616	Expansion vessel		
3	998776	Bush (expansion vessel)		
4	998581	3/8" lock nut		
5	570772	Cable holder		
6	-----	Hydraulic group support		11
7	-----	Bracket		11
8	992183	Natural gas rain cover		
9	65100769	Low voltage wiring		
10	992191	Cable (power supply)		
11	65100754	Cable holder (5 pcs)		
12	991823	P.C.B. holder box		
13	992184	Fixing bracket (control panel)		
14	571562	Cable clamp		
15	995920	Control panel cover (rear)		
16	991830	Control module P.C.B. cable		
17	65100750	P.C.B. (UNO-COM)		
18	65100767	Control panel		
19	992196	Gasket (trim)		
20	991826	Trim		
21	-----	Name badge		11
22	-----	"UNO" plate		11
23	65100766	Trim		
24	65100755	Spindle		
25	65100761	Knob		
26	990383	O-ring (C.H. flow manifold - 3143 EPDM)		
27	995936	Flange (C.H. flow)		
28	990404	Lock flange		
29	990385	U-clip		
30	997088	Safety valve (3 bar)		
31	998517	Gasket (20 pcs)		
32	65100757	Pressure/temperature gauge		
33	65100756	Manifold (C.W. inlet)		
34	571559	Filling cock knob		
35	995948	D.H.W. flow switch		
36	990392	O-ring (134 EPDM)		
37	990488	O-Ring (3118 EPDM) (10 pcs)		
38	990438	Screw (M4X102)(5 pcs)		
39	65100770	ELBI motor support		
40	997147	Motor (3-Way valve)		
41	997077	Fixing clip (motor)		
42	995932	Flange (C.H. return)		
43	990393	O-Ring (3231 EPDM) (10 pcs)		
44	996615	Kit (motor pump)		
45	996123	Pump gasket		
46	-----	Impellor (pump)		11
47	991837	Manifold (C.H. return)		
48	65100421	U-clip		
49	995865	Auto air vent		
50	65100038	Fixing bracket (return pipe)		
51	998424	O-ring (C=4 D=17,04) (10 pcs)		
52	-----	Reducer 3/4"		11
53	573520	Gasket 3/4" (25 pcs)		
54	992176	Pipe (return)		
55	998424	O-ring (C=4 D=17,04) (10 pcs)		
56	65100510	Flue hood		
57	992182	Reducer (flue hood)		
58	992194	Low voltage wiring (flue control probe)		
59	992190	Thermostat (safety - 70°C)		
60	998108	Cable clamp		
61	-----	Combustion chamber back support		11
62	992198	Panel (insulation - rear)		
63	992199	Panel (insulation - RH-LH Side)		
64	-----	Combustion chamber box		11
65	992197	Panel (insulation - front)		
66	992174	Nut (M4)		

PART.	CODE	DESCRIPTION	REF.	NOTE
67	992189	Main exchanger		
68	990686	Temperature probe + clip (C.H. - T335D)		
69	998043	Fixing spring (overheat thermostat)		
70	992180	Control panel		
71	992173	Fixing spring (exchanger pipe)		
72	997153	U-clip (20 pcs)		
73	65100729	P.C.B. (UNO-MCU MI/FFI)		
74	990381	Connector (room thermostat)		
75	990357	Clips		
76	995945	Secondary exchanger		
77	573825	O-Ring (secondary exchanger - 10 pcs)		
78	995935	LH connector without probe		
79	990387	O-ring (3081 EPDM) (10 pcs)		
80	990384	Manifold (C.H. flow)		
81	998077	O-ring gasket (20 pcs)		
82	990386	U-Clip		
83	990388	By-pass pipe		
84	995976	O-ring (119)		
85	571548	U-Clip		
86	995930	Diverter valve assembly		
87	995910	Spindle (diverter valve)		
88	990489	O-Ring (3100 EPDM) (10 pcs)		
89	999473	By-pass (Fugas)		
90	990391	Spring (diverter valve)		
91	990390	Plug (diverter valve)		
92	992178	Pipe (expansion vessel)		
93	573521	Gasket 3/8" (25 pcs)		
94	990436	Electrode (Ignition/Detection)		
95	990403	Cable (detection)		
96	992192	Cable (earth)		
97	65100552	High voltage wiring		
98	574279	Gasket (spark generator) (5 pcs)		
99	997089	Gas valve (SIT 845 SIGMA)		
100	992177	Gas pipe town gas		
101	571565	Fixing spring (pressure gauge) (10 pcs)		
102	992175	Pipe (C.H. flow)		
103	992201	Gas manifold (Complete - NG)	A	
103	992202	Gas manifold (Complete - LPG)	B	
104	992181	Portection screen		
105	992188	Burner 12 ramp		
301	65100431	Case panels support		
302	-----	"ARISTON" plate		11
303	999882	Case panel hook		
304	995305	Washer (20 pcs)		
305	570717	Spring (fastening) (5 pcs)		
306	65100768	Case panel (front)		
307	992186	Case panel (R.H. side)		
308	992187	Case panel (L.H. side)		

NOTE	DESCRIPTION
11	Not supplied as a spare part